

## Ignition Coil

P/N 06.50.003

### Dimensions

• Length	130.2 mm (5.13")
• Coil body diameter	61 mm (2.4")
• Width of bracket	94 mm (3.7)
• Height	72.6 mm (2.86")
• Distance of mounting screws	Max. 75 mm (2.95")

### Connections

• Primary side	10-32 UNF
• Secondary side	M6
• Torque primary side	3 Nm $\pm$ 10 % (2.2 lb-ft $\pm$ 10 %)
• Torque secondary side	10 Nm $\pm$ 10 % (7.4 lb-ft $\pm$ 10 %)

### Mechanical Data

• Weight	Approx. 0.85 kg (1.87 lb)
• Permissible vibrations	5 g at 20 Hz to 2,000 Hz
• Torque for mounting screws on wiring rail	16 Nm $\pm$ 10 % (11.8 lb-ft $\pm$ 10 %)

### Climatic Environmental Conditions

• Permissible temperature range	-20 °C to +95 °C (-4 °F to +203 °F)
• Maximum relative humidity	95 %

### Electrical Data

• Maximum secondary voltage	45 kV
• Resistance primary side	0.6 $\Omega$ $\pm$ 0.1 $\Omega$
• Resistance secondary side	11.5 k $\Omega$ +0.5 k $\Omega$ /-2.0 k $\Omega$

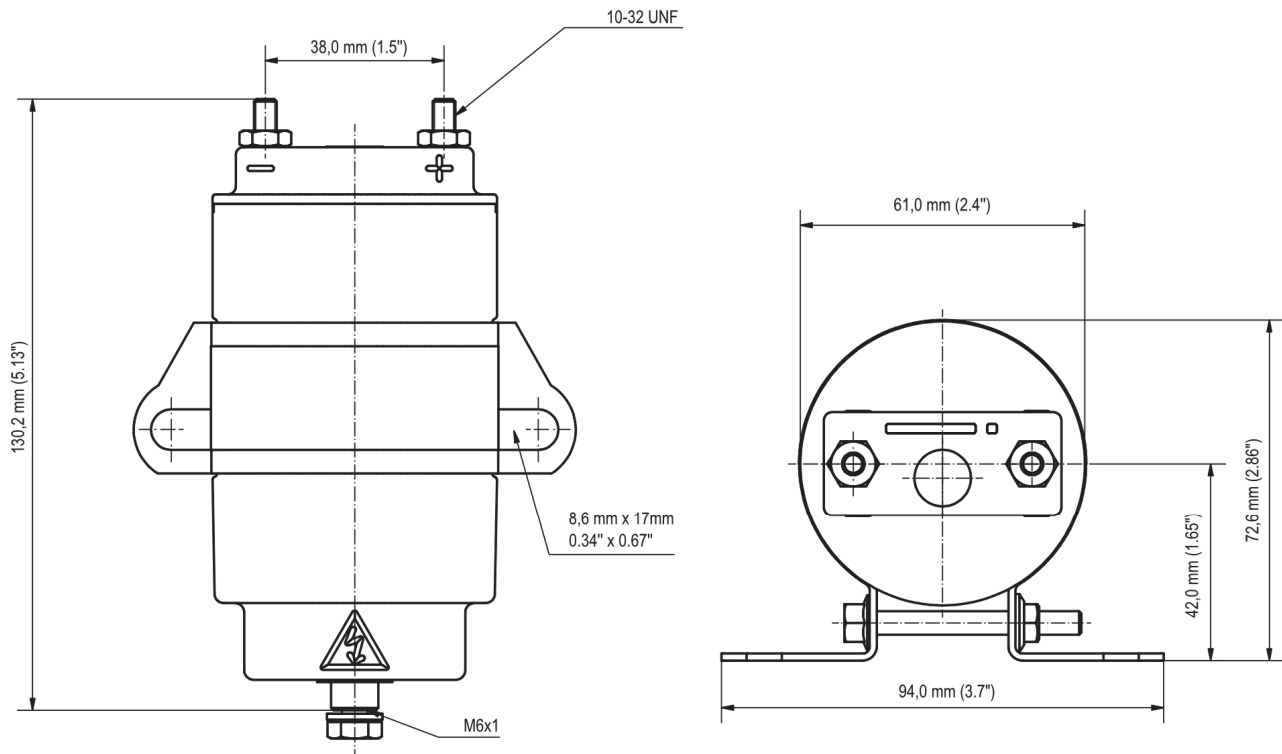
### Compatibility

• Compatible ignition controllers	MIC3 series, MIC4 series, MIC5 series, MIC850
• Compatible technologies	MOST <sup>1)</sup> , ASC <sup>2)</sup>

1) MOST – MOTORTECH Output Stage Technology used in MOTORTECH ignition controllers of MIC3 series, MIC4 series, MIC5 series.  
2) ASC – Automatic Spark Control used in MOTORTECH ignition controller MIC850.



## Overview Drawing



## Coil Circuit Diagram

