

## Ignition Coil

P/N 06.50.112

### Dimensions

- Length 161.6 mm (6.36")
- Width 101.2 mm (3.98")
- Height 72 mm (2.83")
- Distance between fastening screws 73 mm (2.87")

### Connections

- Primary side N10-32UNF
- Secondary side M6
- Torque primary side 3 Nm (2.2 lb-ft) ± 10 %
- Torque secondary side 10 Nm (7.4 lb-ft) ± 10 %

### Mechanical Data

- Weight Approx. 1 kg (2.2 lbs)
- Permissible vibrations 5 g at 20 Hz to 2,000 Hz
- Torque of fastening screws on the ignition rail 16 Nm (11.8 lb-ft) ± 10 %

### Climatic Environmental Conditions

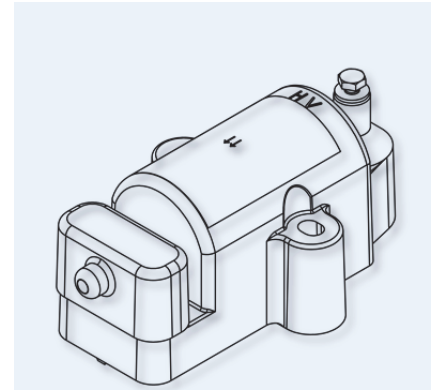
- Permissible temperature range -20 °C to +95 °C (-4 °F to +203 °F)
- Maximum relative humidity 95 %

### Electrical Data

- Maximum secondary voltage 45 kV
- Resistance primary side 0.5 Ω ± 0.1 Ω
- Resistance secondary side 8 kΩ ± 1 kΩ
- Polarity Negative ground

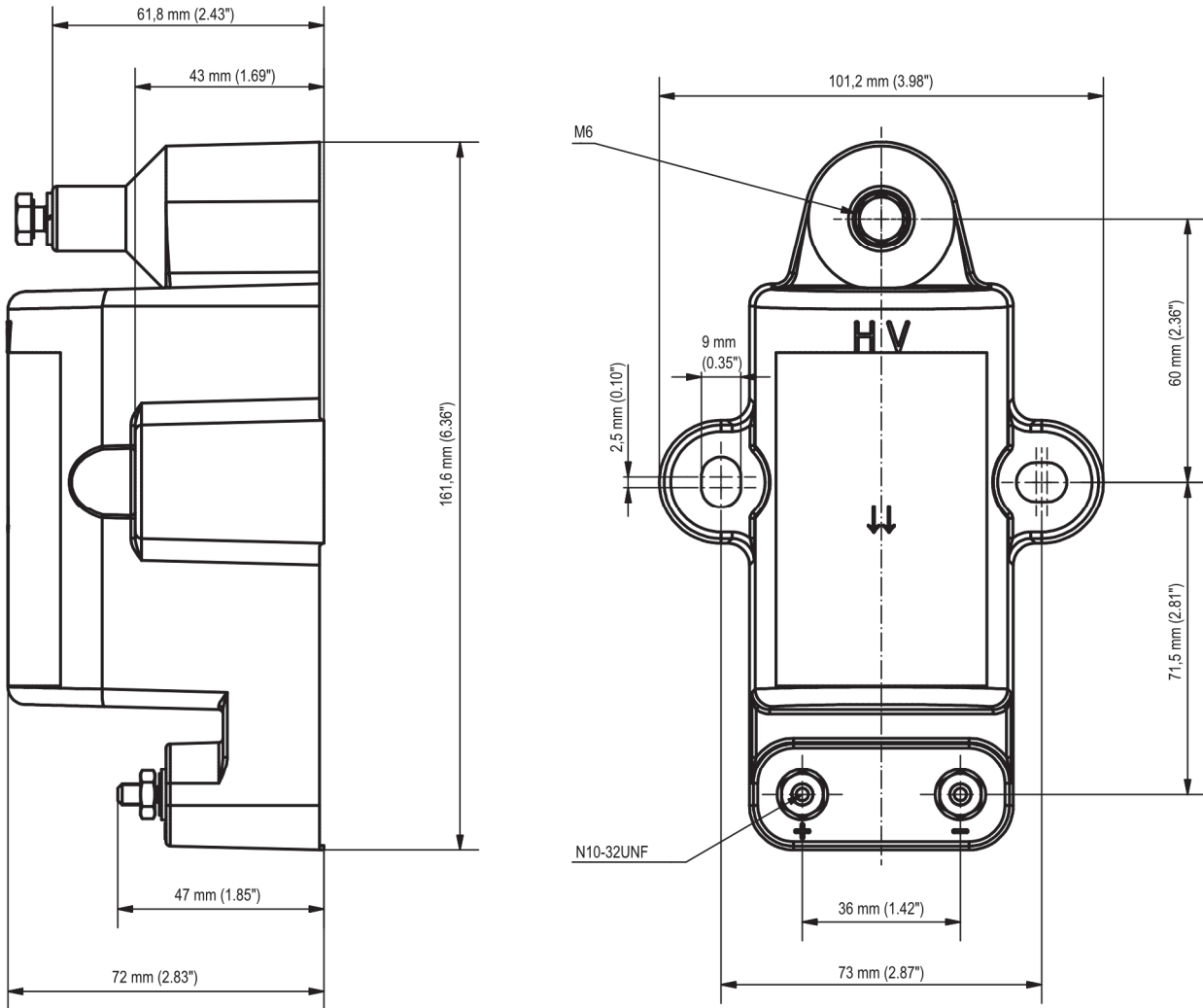
### Compatibility

- Compatible ignition controllers MIC3, MIC3+, MIC4, MIC4+, MIC5, MIC5+
- Compatible technologies MOST<sup>1)</sup>



<sup>1)</sup> MOST – MOTORTECH Output Stage Technology used in MOTORTECH ignition controllers.

## Overview Drawings



## Coil Circuit Diagram

